

HAIR DRYER USER MANUAL

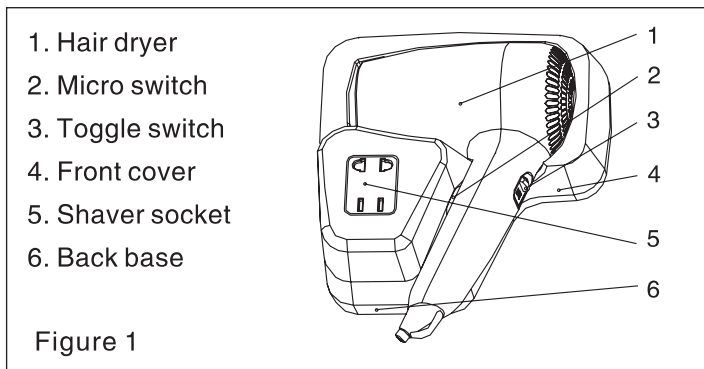
Thank you for purchasing this hair dryer. This product focuses on safety, convenience and power-saving with a modern streamline design which presents the smart combination of science and aesthetics. The way of its installation is amazing which can be installed on the wall or in the drawer. It is an ideal choice for hotel and household.

Features:

Function Difference	Remark
With Shaver Socket	
Without Shaver Socket	

- ※ With a switch, when do not need the dryer, can turn the power off which can make the hair dryer without electric.
- ※ 2 class of wind which is high and low temperature
- ※ With another switch on the handle of the hair dryer, press the switch to make it work, and release the switch to make it stop working

Components:



Installation:

■ **Warning:** Don't install this unit above the shower basin and the place under the water.

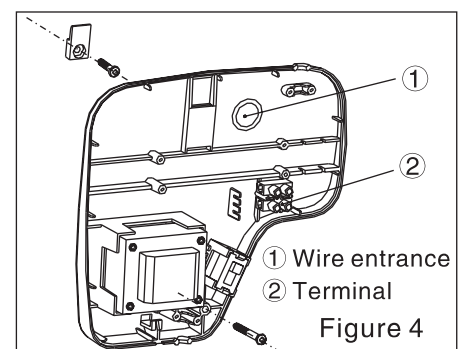
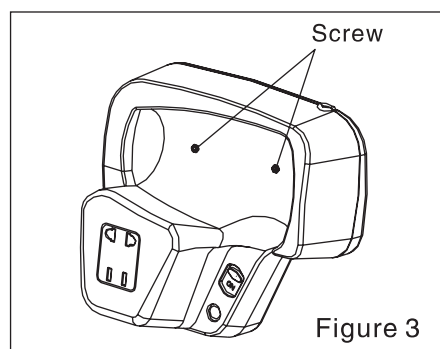
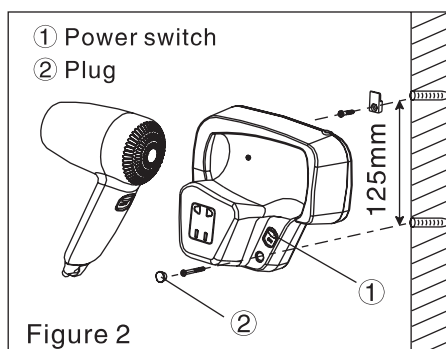
■ **Recommended installation height (measured from floor):** standing 1.6m, sitting 1.2m.

■ Open Wire Installation:

1. Drill 2 holes of 6mm diameter on the wall as shown in (Figure2). Fix the hanger with the plugs and the screw attached.
2. Fit the back cover right to the hanger, and fix the front cover and back cover on the wall with the screw.
3. Plug in, and switch on the power to use

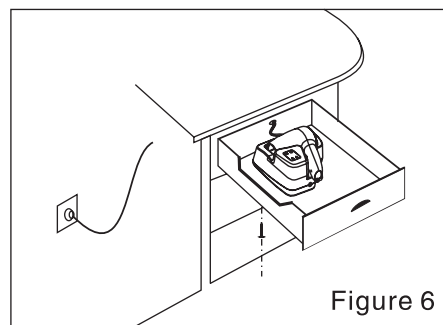
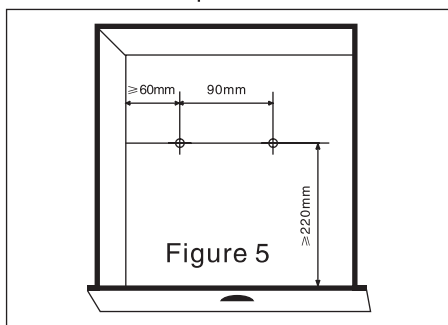
■ Concealed Wire Installation:

1. Follow the Step1 in the Open wire installation
2. Loose the screws in the front cover, and remove it. Take off the power cord from the wiring terminal. (Figure3)
3. Break the plastic in the inlet wire hole, and put the prepared power cord through the inlet wire hole. Fit the back cover right to the hanger, and fix it with the screw. (Figure4)
4. Connect the prepared power cord to the wiring terminal N, L. Then put back the wiring terminal.
5. After check, put back the front cover and fix it with the screw.
6. Connect to the power, and switch on the power to use



■ Drawer Installation:

1. Drill 2 holes of 4mm diameter at the bottom of the drawer as shown in (Figure5).
2. As shown in (Figure6), fix the base of the hair dryer at the bottom of the drawer with the screws and the plugs attached.
3. Plug in, and switch on the power to use

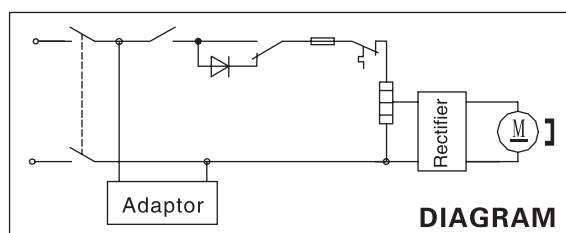


Application:

Switch on the power, bring up the hair dryer, and press the button to make it work. Tip the toggle switch to change the class of the wind which is high and low temperature.

Specification:

Voltage	Power	Frequency	Electric-shock safeguard
110V~/120V~	1000W Max 500W Min	50Hz/60Hz	<input type="checkbox"/>
220V~/230V~/240V~	1200W Max 540W Min		



Notes:

1. The hair dryer must be installed away from the place for shower bath;
 2. DO NOT install the product near the bathtub, washbowl or other vessels that contain water;
 3. After use the hair dryer in the bathroom, take off the plug. Because even though switch off the power, it is dangerous to be close to the water;
- Suggestion:** Install a residual current device which can limit the rate residual working current in 30mA in the electric circuit which supply power to the hair dryer.
4. Avoid spattering the product with water;
 5. DO NOT cover the air inlet and outlet;
 6. DO NOT shake the hair dryer;
 7. When the hair dryer is out of order during use, please cut off the power immediately, stop using it, and contact our company or find a qualified electrician to fix it;
 8. If the supply cord is damaged, it must be replaced by the manufacturer, its service agent or a qualified electrician in order to avoid a hazard.

If the supply cord is damaged, it must be replaced by the manufacturer, its service agent or similarly qualified persons in order to avoid a hazard.



This marking indicates that this product should not be disposed with other household wastes throughout the EU. To prevent possible harm to the environment or human health from uncontrolled waste disposal, recycle it responsibly to promote the sustainable reuse of material resources. To return your used device, please use the return and collection systems or contact the retailer where the product was purchased. They can take this product for environmental safe recycling.

Package:

- One set of hair dryer;
- One copy of user manual;
- One pack of 1 pc of hanger, 4pcs of screw, 2pcs of plug.