

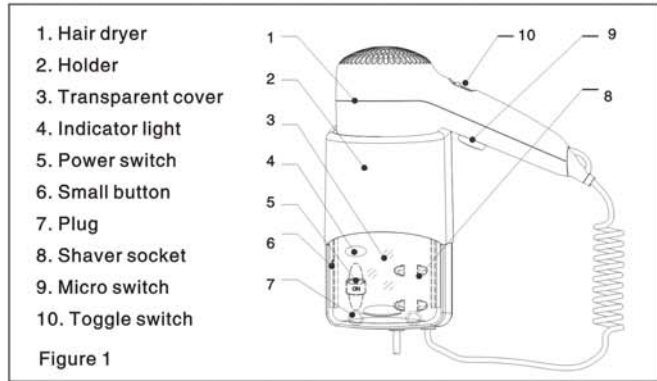
# HAIR DRYER USER MANUAL

Thank you for purchasing this hair dryer, which can dry your hair, dry your skin, style your hair, and have 1 socket of 110V and 220V. With the transparent cover, it can hide the shaver socket ably and prevent the dirt. It equips the power switch, which improves the safety. With its streamline design and efficient heating, it is an ideal choice for hotel and household.

## Features:

- ※ With a switch, when do not need the dryer, can turn the power off which can make the hair dryer without electric.
- ※ 2 class of wind which is high and low temperature
- ※ With the transparent cover, it can prevent the dirt and it is beautiful and practical
- ※ Efficient, power-saving, the socket can be used until open the transparent cover

## Components:



## Installation:

■ **Warning:** Don't install this unit above the shower basin and the place under the water.

■ **Recommended installation height ( measured from floor):** standing 1.6m, sitting 1.2m.

### ■ Open Wire Installation:

1. Drill 2 holes of 6mm diameter on the wall as shown in (Figure2).

Fix the hanger with the plugs and the screw attached.

2. Fit the back cover right to the hanger, and fix the holder and back cover on the wall with the screw.

3. Plug in, and switch on the power to use

### ■ Concealed Wire Installation:

1. Follow the Step1 in the Open wire installation

2. Loose the screws in the front cover, and remove the front cover.

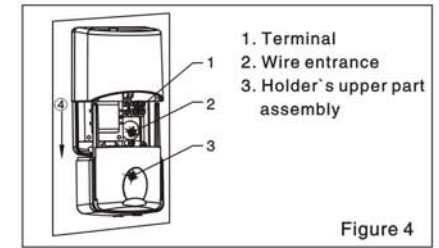
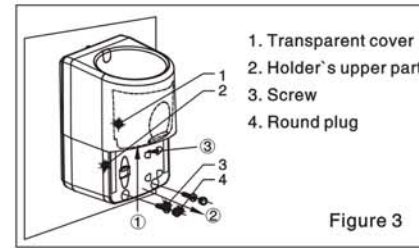
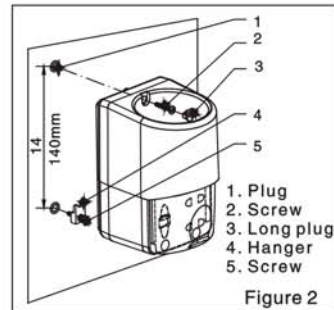
Take off the power cord from the wiring terminal. (Figure3)

3. Break the plastic in the inlet wire hole, and put the prepared power cord through the inlet wire hole. Fit the back cover right to the hanger, and fix it with the screw. (Figure4)

4. Connect the prepared power cord to the wiring terminal N, L. Then put back the wiring terminal.

5. After check, put back the holder and fix it with the screw.

6. Connect to the power, and switch on the power (indicator lights up) to use



## Application:

### ■ Hair Dryer Application:

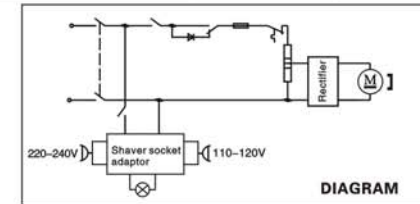
Switch on the power, bring up the hair dryer, and press the button to make it work. Tip the toggle switch to change the class of the wind which is high and low temperature.

### ■ Shaver Socket Application:

Switch on the power, and open the transparent cover. When the indicator lights up, the socket can be used. Plug in to use the shaver. After use the shaver, close the transparent cover to cut off the power.

## Specification:

| Voltage           | Power              | Frequency | Electric-shock safeguard | Shaver socket output |
|-------------------|--------------------|-----------|--------------------------|----------------------|
| 110V~/120V~       | 1000W Max 500W Min | 50Hz/60Hz | <input type="checkbox"/> | ≤20VA                |
| 220V~/230V~/240V~ | 1200W Max 540W Min |           |                          |                      |



## Notes:

1. The hair dryer must be installed away from the place for shower bath;
2. DO NOT install the product near the bathtub, washbowl or other vessels that contain water;
3. After use the hair dryer in the bathroom, take off the plug. Because even though switch off the power, it is dangerous to be close to the water Suggestion: Install a residual current device which can limit the rate residual working current in 30mA in the electric circuit which supply power to the hair dryer.
4. Avoid spattering the product with water;
5. DO NOT cover the air inlet and outlet;
6. DO NOT shake the hair dryer;
7. When the hair dryer is out of order during use, please cut off the power immediately, stop using it, and contact our company or find a qualified electrician to fix it;
8. If the supply cord is damaged, it must be replaced by the manufacture, its service agent or a qualified electrician in order to avoid a hazard.

*If the supply cord is damaged, it must be replaced by the manufacturer, its service agent or similarly qualified persons in order to avoid a hazard.*



This marking indicates that this product should not be disposed with other household wastes throughout the EU. To prevent possible harm to the environment or human health from uncontrolled waste disposal, recycle it responsibly to promote the sustainable reuse of material resources. To return your used device, please use the return and collection systems or contact the retailer where the product was purchased. They can take this product for environmental safe recycling.

## Package:

- One set of hair dryer
- One copy of user manual
- One pack of 1 pc of screw of 3.5 × 30; 1 pc of screw of 3.5 × 22; 2pcs of plugs; 1 pc of hanger; 1 pc of long plug.